



## Direct Drive Turret Style Pressure Gauge

*Solid - Front Process Gauge*

### 34 Series - Process

#### Applications

- Where high dynamic pressure pulsations, vibration, or shock are present.
- Suitable for corrosive environments and gaseous or liquid media that will not obstruct the pressure system
- Process industry: chemical, petrochemical, refining, power stations, mining, environmental technology, mechanical engineering and plant construction.

#### Special features

- Excellent load - cycle stability and shock resistance
- Movement - less Direct Drive Bourdon tube
- Positive pressure ranges to 20,000 psi
- All ranges can withstand full vacuum
- Helium Leak Checked

#### Standard Features

**Design** ASME B40.100

**Sizes** 4½" (115 mm) dial size

**Accuracy class** ± 0.5% of span (ASME B40.100 Grade 2A)

**Ranges** Vacuum / Compound to 300 psi \*

Pressure from 30 psi to 20,000 psi

or other equivalent units of pressure or vacuum

(\*15K psi and 20K psi are ± 1.0% upscale only.

Vacuum and Vacuum portion of a compound ± 1.0%)

#### Working pressure

Steady: full scale value

Fluctuating: 0.9 x full scale value

Short time: 1.5 x full scale value (except 15K and 20K psi)

#### Bourdon tube / wetted parts

Material: Inconel X-750

316L SS socket & capillary

All connections micro-brazed / welded / helium leak tested

#### Pressure connection

Material: 316L stainless steel

Lower mount (LM) and lower back mount (LBM)

1/4" or 1/2" NPT

#### Filter

Porous metal slug - 316 SS

Porosity: 25 to 50 microns



#### Operating temperature

Ambient: - 65°F to +190°F

Medium: - 65°F to +400°F

#### Weather protection

Weather resistant (NEMA 3 / IP54)

#### Dial

White aluminum with black lettering

**Pointer**

Black aluminum flat, adjustable  
 External zero adjustment  
 Adjustment screw located on window

**Case**

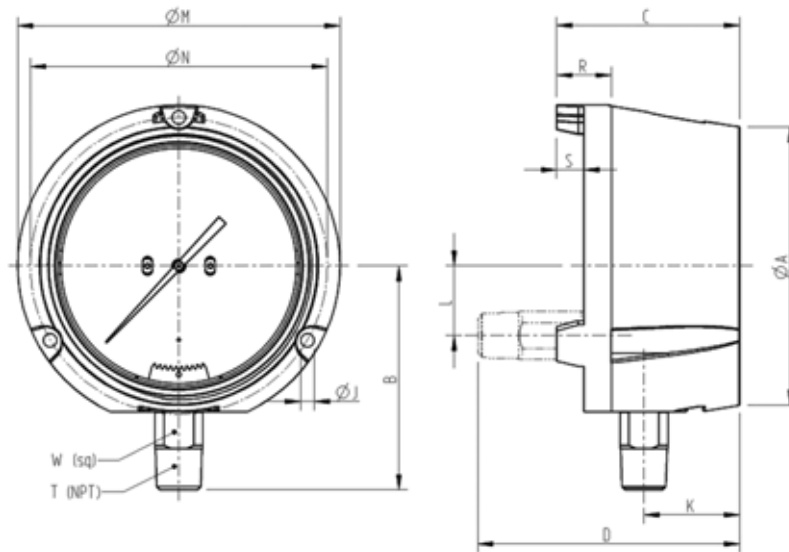
Fiberglass - reinforced thermoplastic (PBTP)  
 Solid front, blowout back  
 Turret-style case with built in rear flange lugs

**Window**

Clear acrylic with Buna - N gasket

**Optional Extras**

- Panel mounting adaptor kit (field assembled)
- Cleaned to ASME B 40.100 level IV or Requested Specifications
- Special process connections
- Custom dial layout
- Safety Glass
- Dampening
- Receiver Scales
- Unique Configurations
- Diaphragm Seals and Anti-tamper
- High Corrosive Resistant configurations
- Various Diaphragm seal fluids
- Optional Case Colors - Red, Yellow, Black
- NEMA 4 / IP65
- Pointer Stop @6:00 on the dial face



	A	B	C	D	J	K	L	M	N	R	S	T	W
mm	128.0	103.1	84.1	120.4	6.4	43.9	32.0	148.1	136.4	25.1	12.4	-	22.1
in	5.04	4.06	3.31	4.74	0.25	1.73	1.26	5.83	5.37	0.99	0.49	*1/2"	0.87

\* Or 1/4"

Pressure Gauge Model / Nominal Size / Scale Range / Size of Connection / Optional Extras / Required Specifications and Dimensions given in this leaflet represent the state of engineering at the time of printing. Modifications may take place and materials specified may be replaced by others without prior notice.

**3D Instruments, LP**

2900 E. White Star Ave., Anaheim, California 92806 USA

Phone: (714) 399-9200

Internet: [www.3dinstruments.com](http://www.3dinstruments.com) E-mail: [cs@3dinstruments.com](mailto:cs@3dinstruments.com)